



KAMPALA PARENTS' SCHOOL 2004

PRIMARY SEVEN REVISION WORK

ENGLISH – SET 16

Name: _____ Stream: _____

For questions 1-6, complete the sentences with a suitable word.

1. Our teacher of English congratulated us _____ the excellent performance we exhibited.
2. At the function, we reached _____ 6:00p.m.
3. Their political rally was marred _____ a heavy downpour.
4. The school mourned the passing _____ of the deputy headteacher's wife.
5. Six plus ten add _____ to sixteen.
6. The village chairperson will preside _____ tomorrow's meeting.

Use the correct form of the words given in brackets

7. All the front _____ were reserved for the invited guests. (sit)
8. Many different contestants _____ for various positions have hung their posters. (vie)
9. My grandmother enjoys listening to _____ music. (classic)
10. COVID-19 is actually a _____ disease. (die)
11. The _____ make durable automobiles. (Germany)

For questions 12 to 15, rewrite the sentences as instructed in brackets.

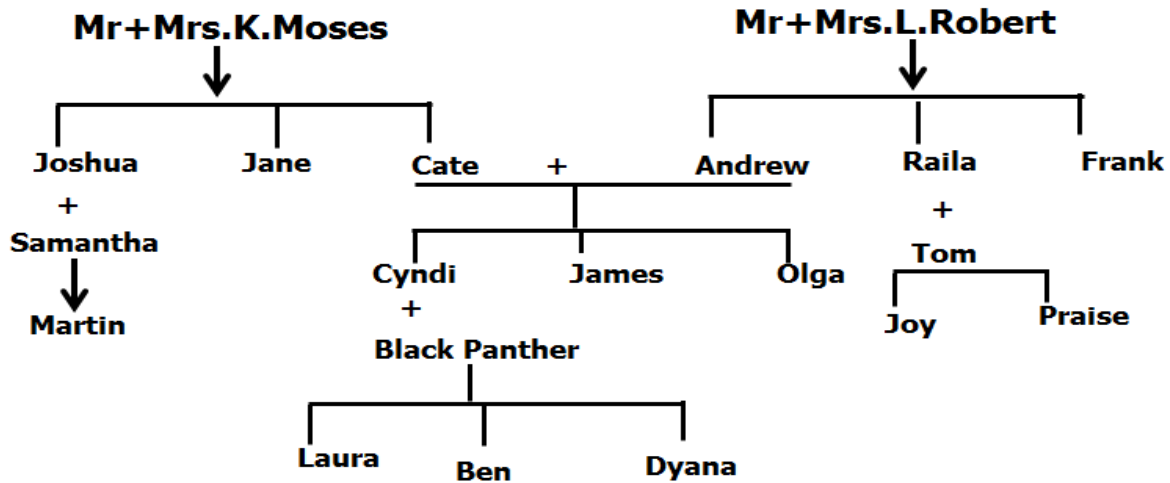
12. The boys speak good English. The girls also speak good English. (Begin: Not only.....)
- _____

13. Our father teaches good moral. Our teachers teach us good morals. (Use:.....as well as.....)
- _____

14. Sharon prefers swimming to playing netball. (Use:.....more interested.....)
- _____

15. "Why have eaten Roy's porridge, Jazmine?" Aisha asked. (Begin: Aisha wanted.....)
- _____

Use the information below and answer the questions that follow.



QUESTIONS

16. What information is given above?

17. How many couples are represented by the family tree above?

18. What is the relationship between Joshua and Olga?

19. How is Black Panther related to Robert?

20. What does Praise call Frank?

21. What is the relationship between Roy and Mr. L. Robert?

22. Who is Cate to Ben?

23. How many granddaughters do Mr and Mrs K. Moses have?

24. What is the relationship between Cyndi and Martin?

25. What is Andrew to Martin?

-END-



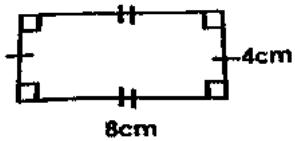
KAMPALA PARENTS' SCHOOL 2004

PRIMARY SEVEN REVISION WORK

MATHEMATICS – SET 16

Name: _____ Stream: _____

| | | | |
|----|---|----|--|
| 1. | SECTION A Evaluate: $2^0 + 3^1$ | 2. | Arrange 4, -3 , 0, $+5$ and -7 in an increasing order. |
| 3. | The average age of 6 boys is 12yrs. Find their total age. | 4. | Increase sh.4000 by 20%. |
| 5. | Simplify: $\frac{0.32 \times 0.45}{0.8 \times 0.09}$ | 6. | Bagaya borrowed sh.120,000 at an interest rate of 10% per annum for 2 yrs. Find her simple interest. |
| 7. | Given that $24_n = 24_{\text{five}}$. Find the value of n. | 8. | Express 3.15pm in a military clock system. |

| | | | |
|----|---|---|--|
| 9 | Find the least number of apples that can be shared among 40 boys and 30 girls leaving 5 as remainder. | 10 | After completing $\frac{3}{4}$ of his journey, A motorist had 25km left. How long was the journey? |
| 11 | <p>SECTION</p> <p>a) 5 men can plough a garden in 6 days How long will it take 3 to do the same work?</p> | b) Telephone poles are planted 20m apart Along Banda Kireka road. Find the distance from the fourth pole to the 20 th pole. | |
| 12 | Mr. Aguyo spends $\frac{1}{4}$ of his salary on food $\frac{1}{3}$ of the remainder on rent and saves 100,000/=. a) What fraction does he save? | b) How much does he earn as a salary? | |
| 13 | <p>Given below is a rectangle</p>  <p>a) Show and state the number of folding lines of symmetry on the figure above. (2 mks)</p> | b) A girl worked around the figure above thrice What distance did she cover? (2mks) | |



KAMPALA PARENTS' SCHOOL 2004

PRIMARY SEVEN REVISION WORK

INTEGRATED SCIENCE – SET 16

Name: _____ Stream: _____

SECTION A

1. Air is a mixture of gases. Which of the gases forms the greatest percentage of air in the atmosphere?

2. Give any one characteristic which is common to all vertebrates.

3. What First Aid would you give to a person who is suffering from diarrhoea?

4. In which process can water be changed into water vapour?

5. Give any one way in which ringworms is spread.

6. Give any one reason why you would choose to use solar energy instead of wood fuel as a source of energy.

7. Give any one reason why people should cut their fingernails.

8. Apart from having bright colours, state any other characteristic of insect pollinated flowers.

9. Give any one reason why the burning of wood is a chemical change.

10. How is the air we breathe in different from the air we breathe out?

11. Give any one characteristic that can help you distinguish between a hen and a cock.

12. Mary suspended three magnets on strings near each other and observed that some ends came closer but other ends moved away from each other. Why did this happen?

13. Apart from hearing, give any one other function of the human ear.

14. a) Give any one danger to a person who gets used to taking drugs of dependency.

b) Suggest any three reasons why it is not advisable to take drugs bought from local shops.

i) _____

ii) _____

iii) _____

15. a) What do you understand by 'dual purpose' cattle? _____

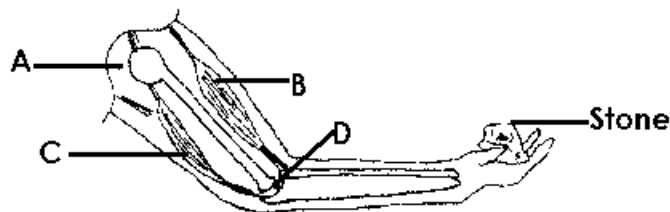
b) Give any two common local breeds of cattle kept in Uganda.

i) _____

ii) _____

c) Suggest any one reason why cattle keepers practice cross-breeding.

16. **The diagram below shows the human arm holding a stone. Use it to answer the questions that follow.**



a) Which muscle acts as the effort in order to lift the stone?

b) What kind of movement is possible at each of the following joints?

i) Joint A _____

ii) Joint D _____

c) Which class of lever is represented by the diagram above?



KAMPALA PARENTS' SCHOOL 2004

PRIMARY SEVEN REVISION WORK

SOCIAL STUDIES – SET 16

Name: _____ **Stream:** _____

1. Give any one factor which makes the equator to be marked 0° .

2. How does fertility of the soil affect vegetation?

3. The population of a village is 240,000 people living in an area of 80,000 square kilometers. Calculate its population density.

4. How can democracy be promoted in Uganda?

5. What title is given to the highest civil servant in a ministry?

6. State any one way the problem of unemployment can be solved in Uganda.

7. Why was it necessary for Africans to demand for independence?

8. State any one duty of a clan head.

9. Mention any one way a father can promote order in a family.

10. Mention any one cause of great trek.

11. Why didn't the Karimojong form a kingdom?

12. State any one reason why a school should be fenced.

13. How are laws important in any community?

14. Mention any one advantage of a mobile phone over a radio in terms of communication.

15. State any one advantage one gets by living near a hospital.

16. Why should industries be set up near the source of raw materials?

17. Mention any one disadvantage of an extended family.

Religious Education

18. Give any one way Jesus made people happy.

19. Why did God give Moses the Ten Commandments?

20. Why did Jesus raise the dead?

21. State any one way a Muslim can strengthen his/her faith in Allah.

End